

Electric pump

EL150A/B

PUMP SPECIFICATIONS	Mod. A	Mod. B
Capacity [m ³ /h - (USGPM)]	720 - (3168)	900 - (3960)
Head [m - (ft)]	22 - (72)	18 - (59)
Impeller diameter [mm - (in)]/type	650 - (26)/2 blades closed	
Flanged bore size [DN.../PN... - (in)]	DN250/PN10 - (10)	DN300/PN10 - (12)
Cross section diameter [mm - (in)]	120 - (4.8)	
Weight (without cable) [kg - (lbs)]	4520 - (9944)	4570 - (10054)

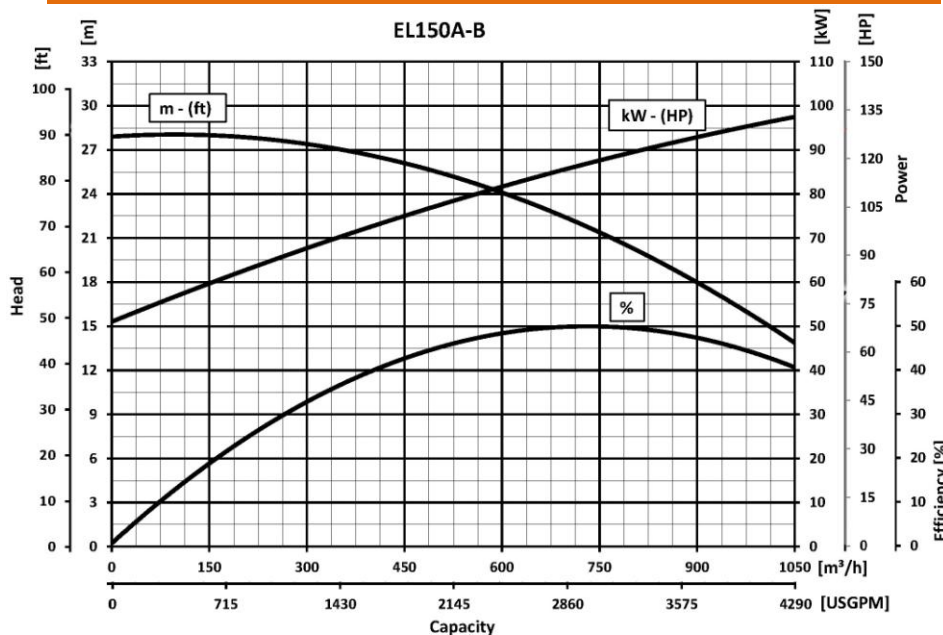
ELECTRIC MOTOR	
Power [kW-HP]	110-150
Voltage [V]/Current [A]	400/240
Phases/Poles/Frequency [Hz]	3/10/60
Speed [RPM]	720
Insulationclass	H
Power cable 20m (IEC 60245- 4)	H07RN-F 4G95

MATERIALS	
Casing	Spheroidal cast iron EN-GJS-500-7 (EN 1563)
Motor housing	Cast iron EN-GJL-250 (EN 1561)
Wear parts	High chrome EN-GJN-HV600 (XCr18) (EN 12513)
Main shaft	High tensile steel 39NiCrMo3 (AISI 9840)

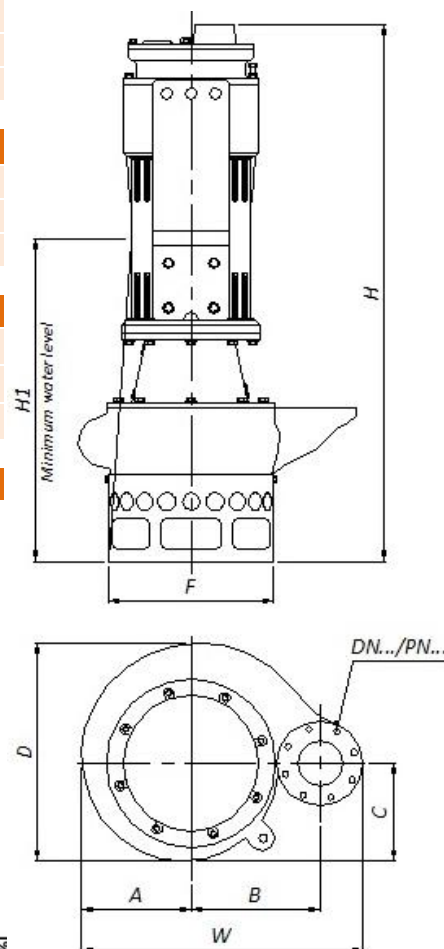
SEALS / LUBRICANT	
Motor side seals	3 lip seals (2 BUNA + 1 PTFE)
Impeller side seals	5 lip seals (3 BUNA + 2 PTFE)
Oil type	ISO 320

DIMENSIONS [mm - (in)]							
H	W	D	F	H1	A	B	C
2650	1595	1360	1015	1800	650	750	600
(106)	(63.8)	(54.4)	(40.6)	(72)	(26)	(30)	(24)

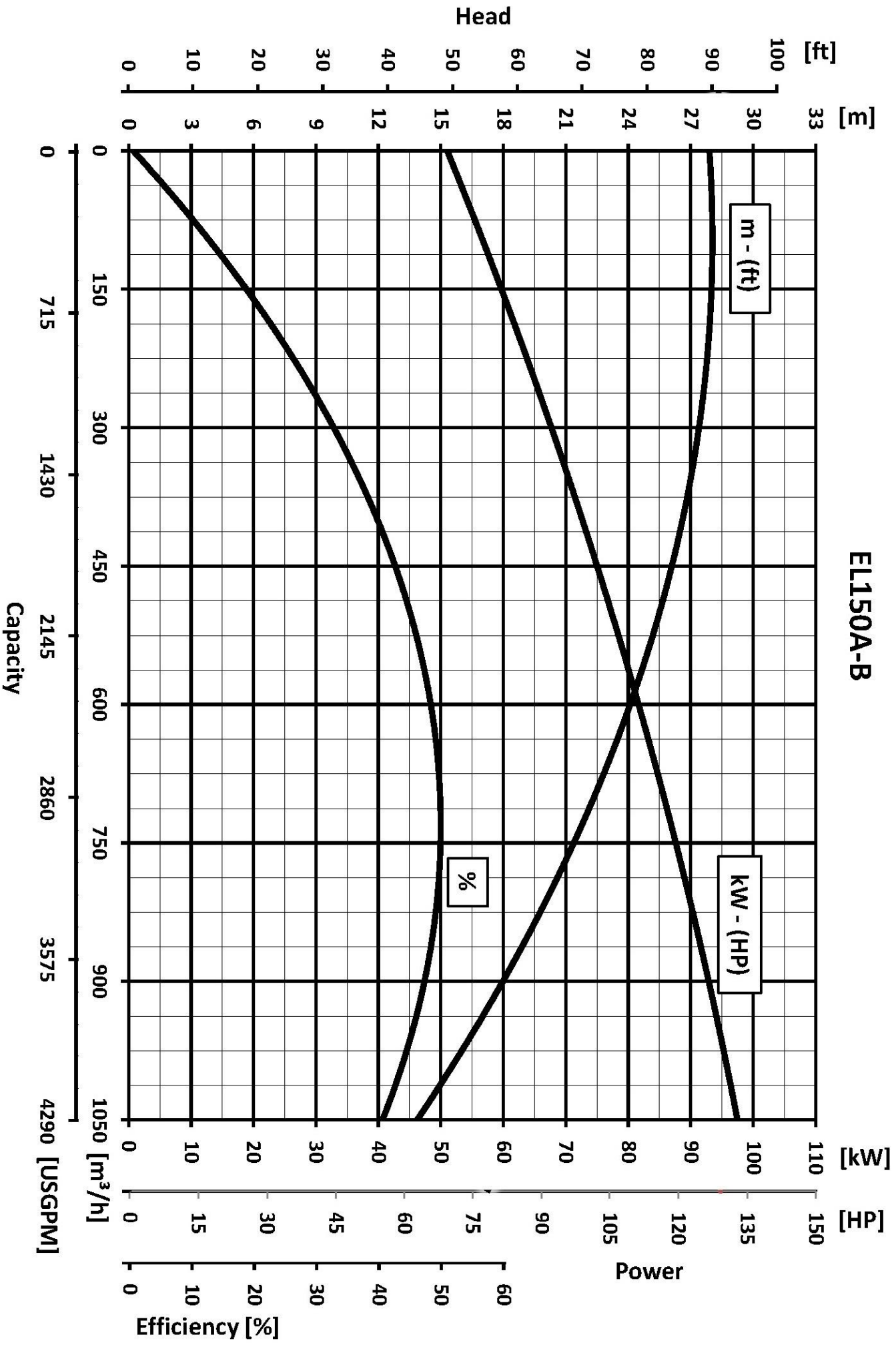
PERFORMANCE CURVES



We reserve the right to make changes without notice



EL150A-B



We reserve the right to make changes without notice