

Hydraulic pump

HY600HC

PUMP SPECIFICATIONS

Max Capacity [m ³ /h - USGPM]	4000 - 17600
Max Head [m - ft]	57 - 190
Impeller diameter [mm - in]/type	800 - 31 /2 blades closed
Flanged bore size [DN/PN - in]	DN450/PN10 - 18
Solid handling [mm - in]	120 - 5
Weight [kg - lb]	4500 - 180

HYDRAULIC MOTOR

Motor displacement [cc - cu in]	1000 - 61,0
Max. oil flow rate[l/min - USGPM]	950 - 251
Max. pressure [bar - PSI]	300 - 4351
Power [kW-HP]	475 - 630
Speed [RPM]	950

MATERIALS

Casing	Spheroidal cast iron EN-GJS500-7 (EN1563)
Motor housing	Cast iron EN-GJL-250 (EN 1561)
Wear parts	High chrome EN-GJN-HV600 (XCr18) (EN12513)
Main shaft	High tensile steel 39NiCroMo3 (AISI 9840)

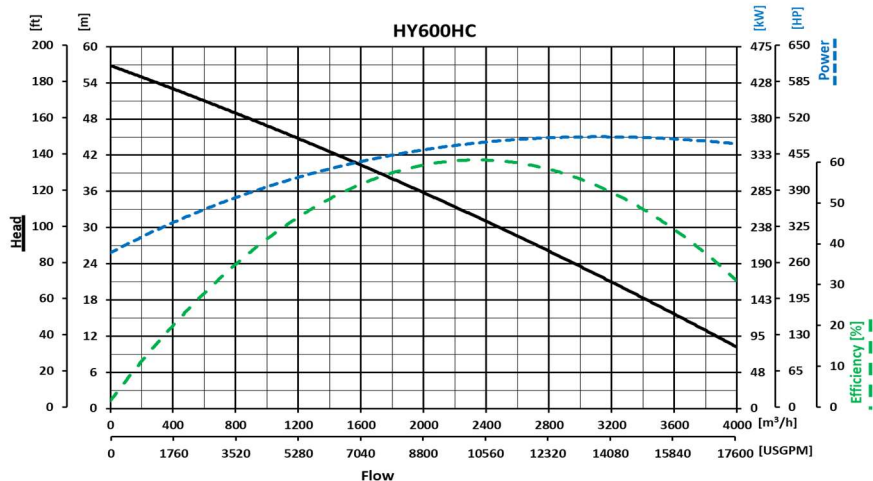
SEALS / LUBRICANT

Motor side seals	3 lip seals (2 BUNA + 1 PTFE)
Impeller side seals	5 lip seals (3 BUNA + 2PTFE) + 1 V-ring (TPU)
Oil type	ISO 32

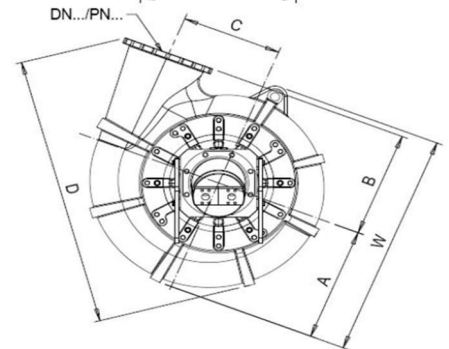
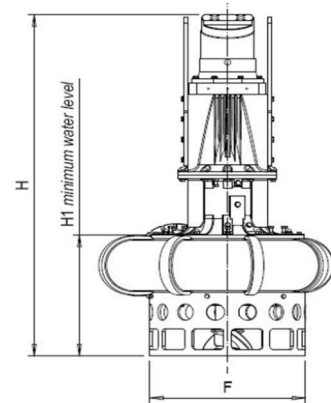
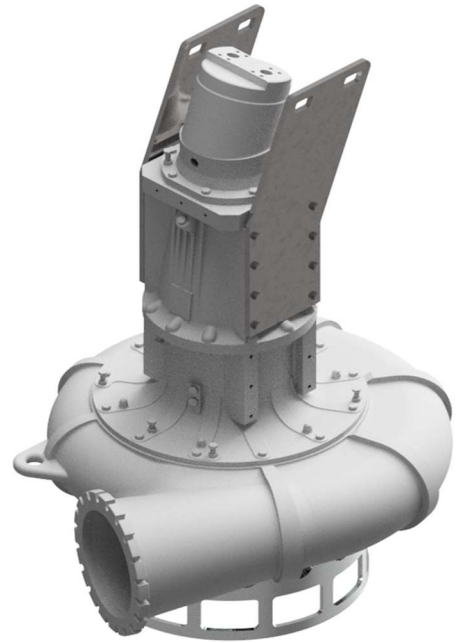
DIMENSIONS [in]

H	W	D	F	H1	A	B	C
99	64	78	40	35	33	30	26

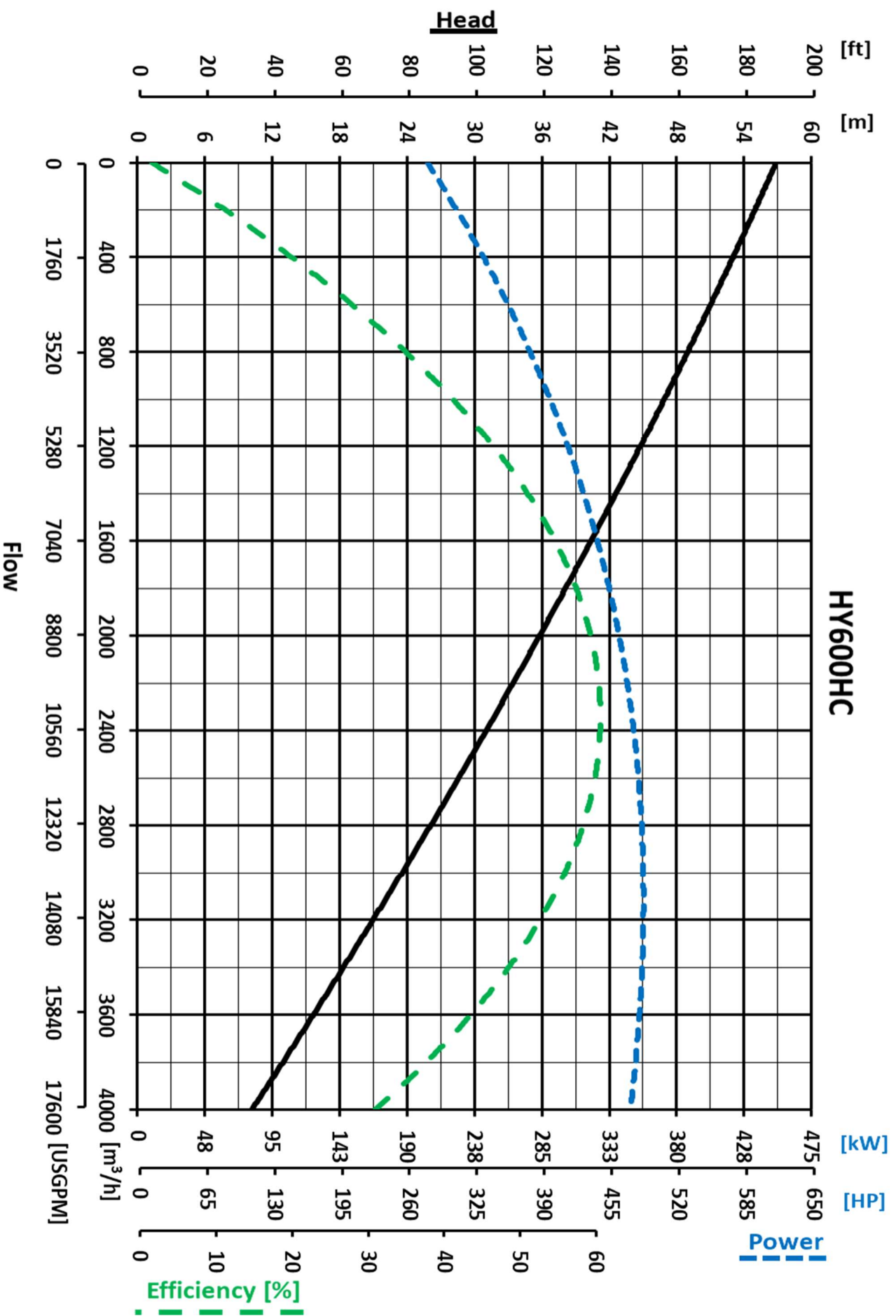
PERFORMANCE CURVES



We reserve the right to make changes without notice



HY600HC



We reserve the right to make changes without notice