

Electric pump

EL300A/B

PUMP SPECIFICATIONS	Mod. A	Mod. B
Capacity [m ³ /h - (USGPM)]	900 - (3960)	1200 - (5280)
Head [m - (ft)]	33 - (106.6)	25 - (80.6)
Impeller diameter [mm - (in)]/type	650 - (26)/2 blades closed	
Flanged bore size [DN.../PN... - (in)]	DN250/PN10 - (10)	DN300/PN10 - (12)
Cross section diameter [mm - (in)]	120 - (4.8)	
Weight (without cable) [kg - (lbs)]	6000 - (13200)	6050 - (13310)

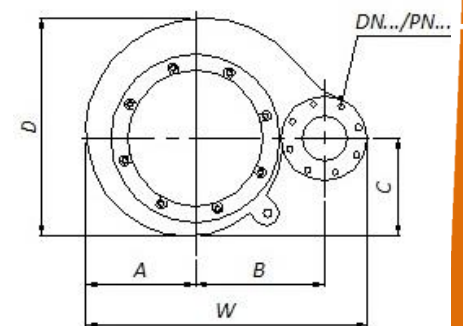
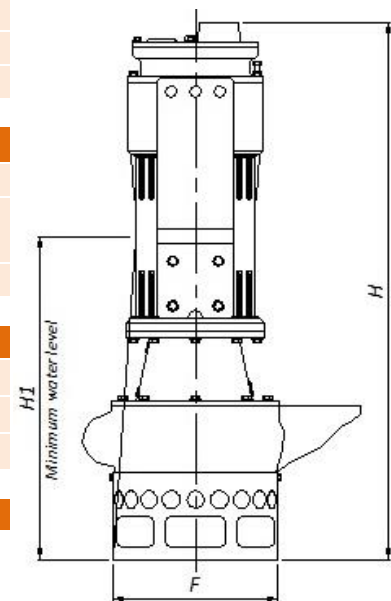
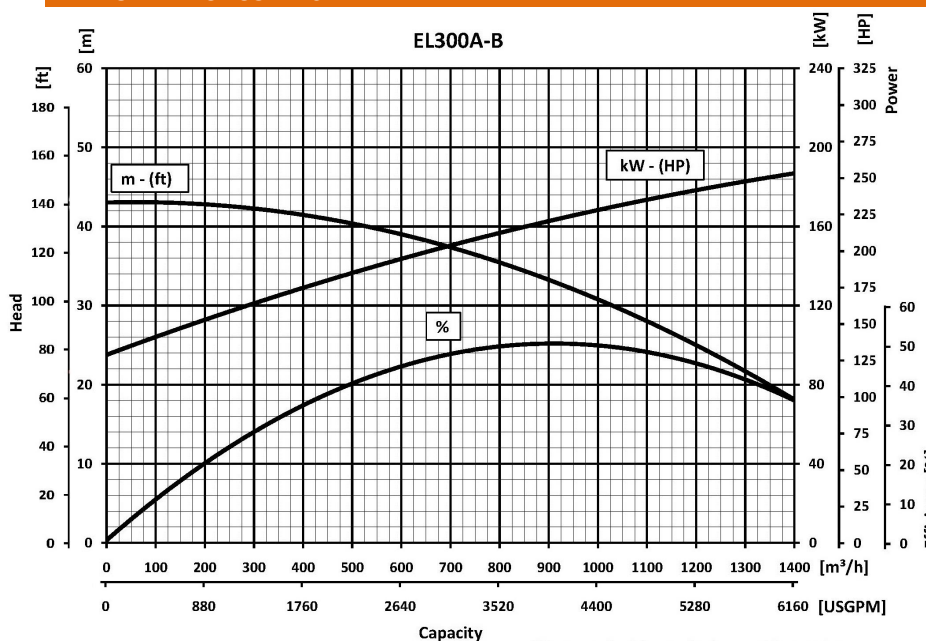
ELECTRIC MOTOR	
Power [kW-HP]	240-325
Voltage [V]/Current [A]	460/377
Phases/Poles/Frequency [Hz]	3/8/60
Speed [RPM]	890
Insulation class	H
Power cable 20m (IEC 60245- 4)	2 x H07RN-F 4G95

MATERIALS	
Casing	Spheroidal cast iron EN-GJS-500-7 (EN 1563)
Motor housing	Cast iron EN-GJL-250 (EN 1561)
Wear parts	High chrome EN-GJN-HV600 (XCr18) (EN 12513)
Main shaft	High tensile steel 39NiCrMo3 (AISI 9840)

SEALS / LUBRICANT	
Motor side seals	1 mechanical seal (silicon carbide in oil bath)
Impeller side seals	1 mechanical seal (silicon carbide in oil bath) + 2 lip seal (1 BUNA + 1 TPU)
Oil type	ISO 320

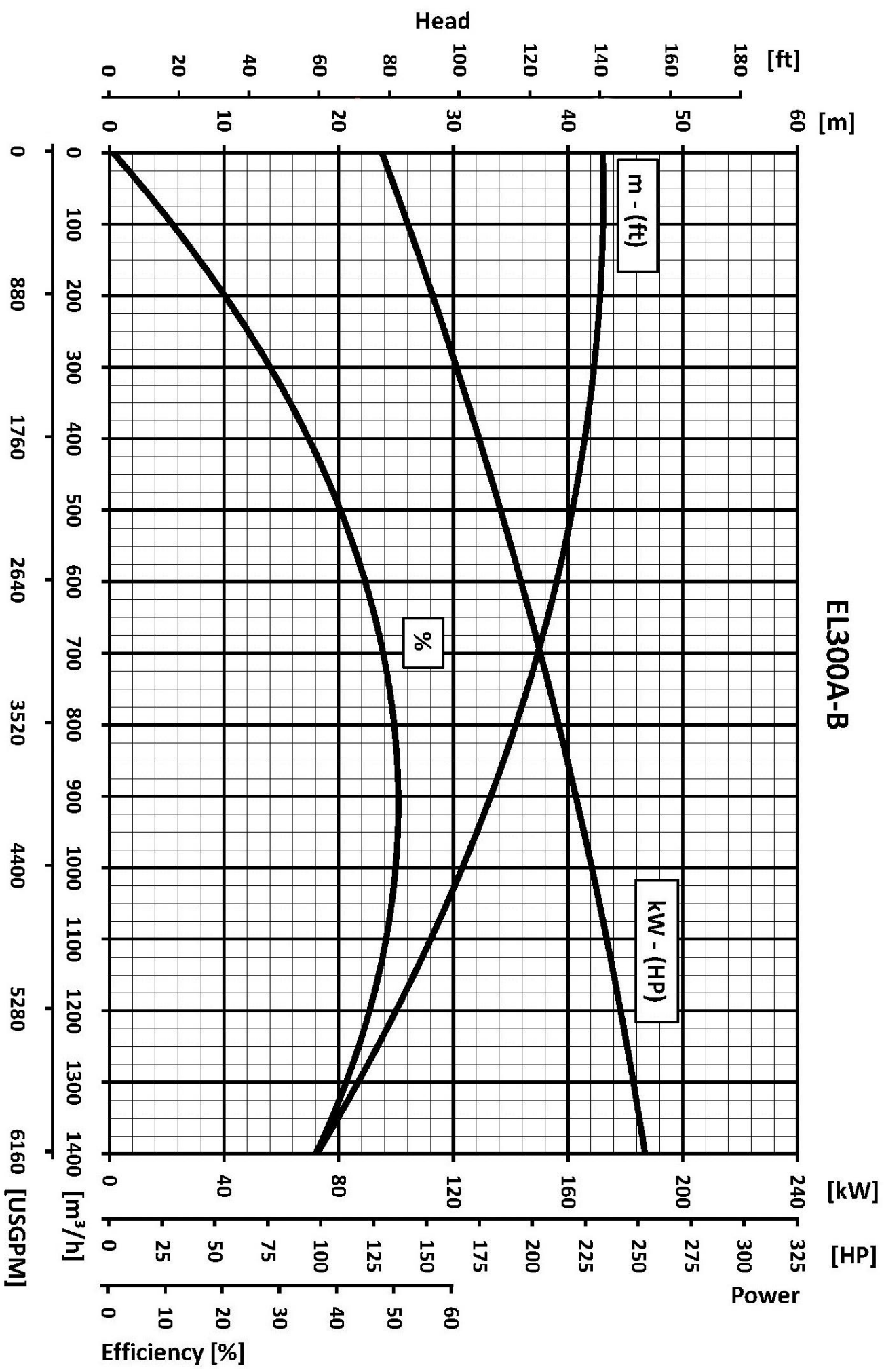
DIMENSIONS [mm - (in)]							
H	W	D	F	H1	A	B	C
3250	1600	1357	1015	2600	652	750	453
(130)	(64)	(54.3)	(40.6)	(104)	(26)	(30)	(18.1)

PERFORMANCE CURVES



We reserve the right to make changes without notice

EL300A-B



We reserve the right to make changes without notice